

THE PROPERTY OF THIS DRAWING IS ESTABLISHED BY LAW  
IT IS FORBIDDEN TO REPRODUCE IT OR SHOW IT TO THIRD PARTY  
WITHOUT A WRITTEN AGREEMENT.

MODIFICATIONS:

7	8	9
10	11	12

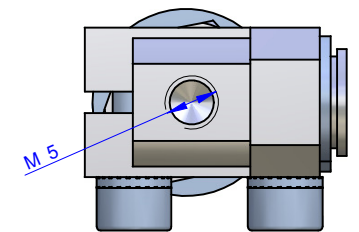
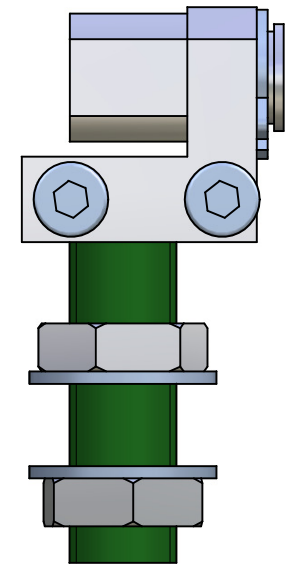
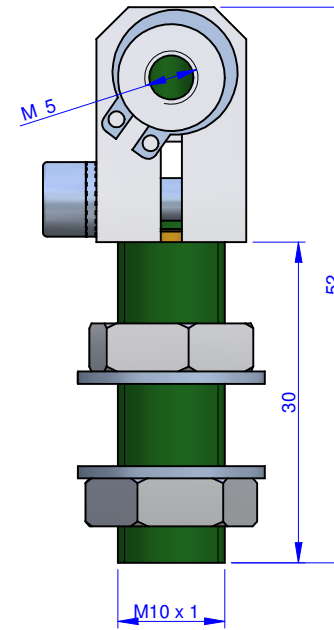
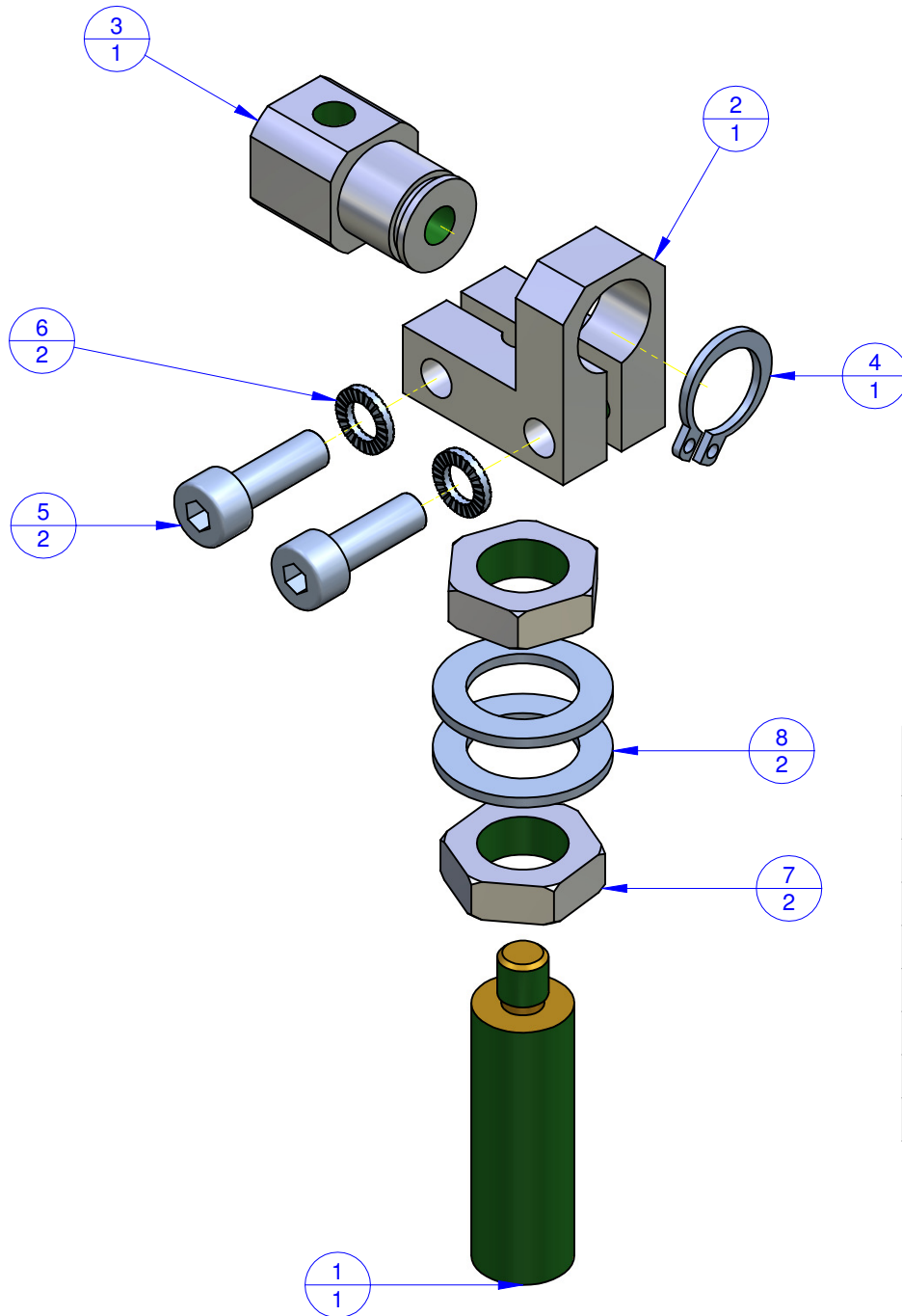
VARIED DIMENSIONS AS OF DATE:

MODIFICATIONS:

1	2	3
4	5	6

VARIED DIMENSIONS AS OF DATE:

Format **A3**  
UNI 936-76



Object Number	Name	QTY
1	GGS.MF10	1
2	GGS.01.01	1
3	GGS.02.01	1
4	A-ELA 10	1
5	V.TCE4X12	2
6	R.4.SCH	2
7	05.01.005.06	2
8	R.10.SCH	2

<p><b>FP Services</b></p> <p>GENERAL TOLERANCE: UNI - ISO 2768 CLASSE f</p>			DESIGNED FROM
			FPSEVICES
DESCRIPTION		DATE	WEIGHT
		10/2013	0,037 kg
		CODE	
		<b>CA.GGSMF100530</b>	

